



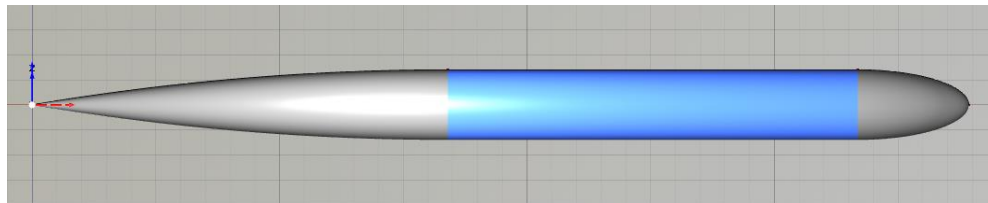
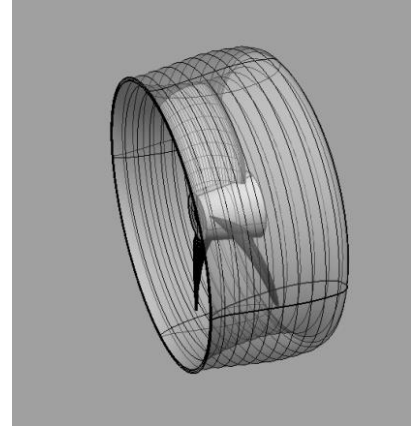
HydroComp, Inc.
ROV/AUV/ASV Propulsor Design
Flash Talk

Donald MacPherson, HydroComp, Inc., Durham NH USA

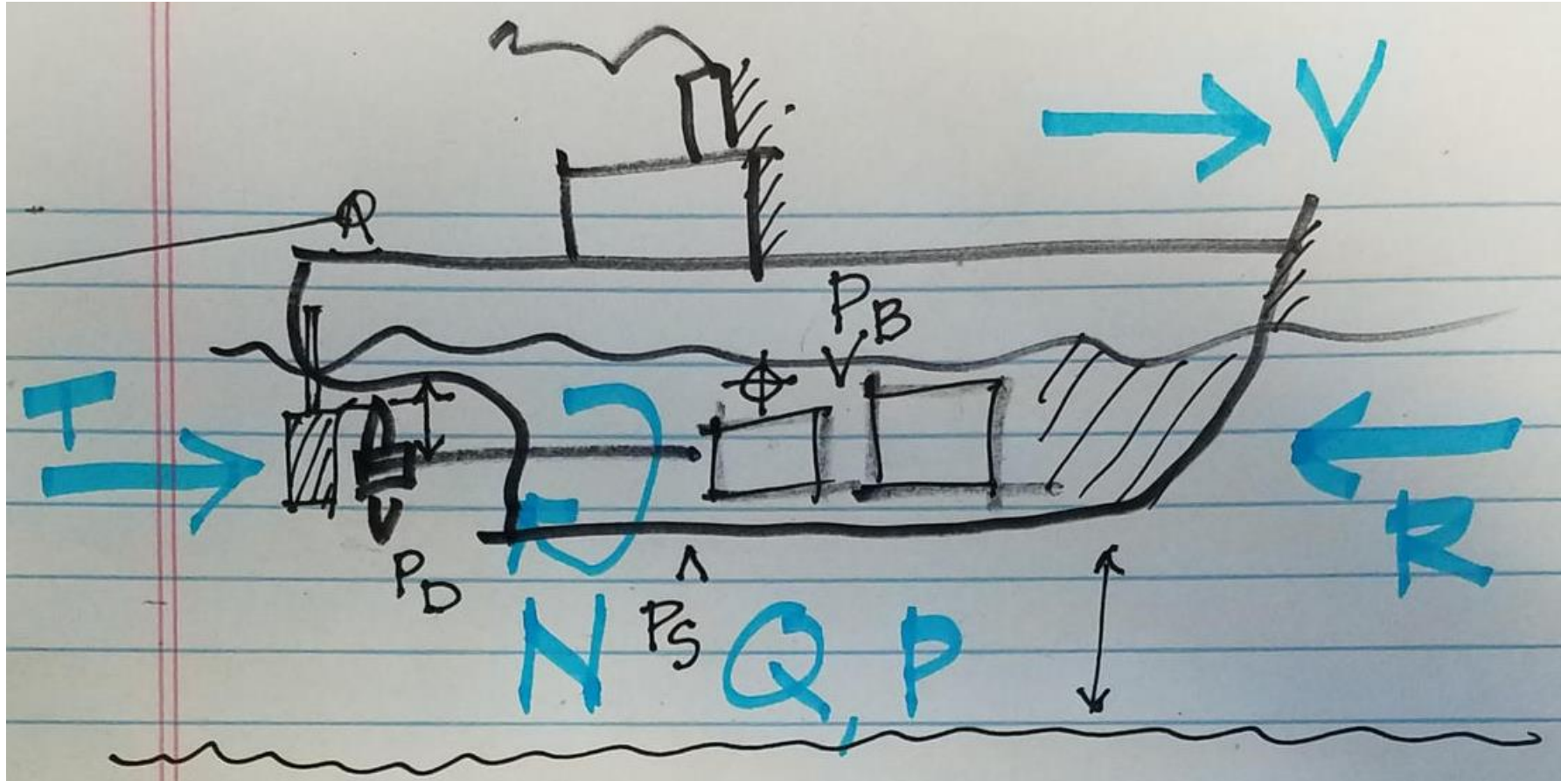
WHOI CMR – 2019/05

PRINCIPAL ACTIVITIES

- Commercial software tools
- Engineering services
- Disciplines
 - Performance forecasting
 - **Vehicle design & analysis**
 - **Propulsor design**

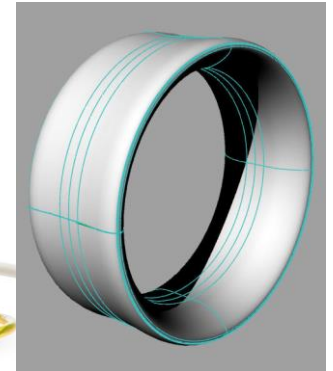
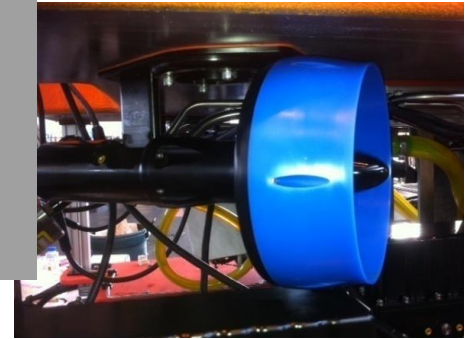
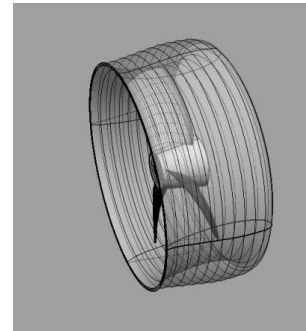
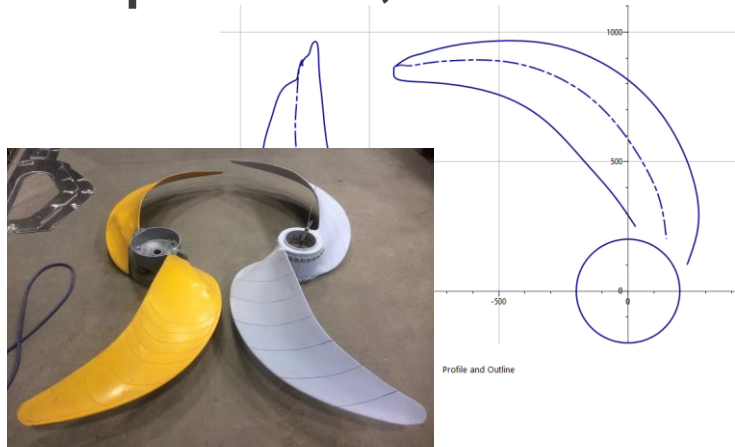


OUR LITTLE WORLD: THE SYSTEM FIRST !



PROPULSOR DESIGN

■ Propellers, thrusters... all propulsors



SOME OF OUR VALUED CUSTOMERS AND CLIENTS



Systems Center
San Diego



OceanServer

