

Appendix D: Deck Box

Digi-seacam Deck Box

- 1) Overview: The Digi-seacam Deck Box is an optional accessory to facilitate the use of the Digi-seacam. It provides a simple operational interface to the camera as well as supplying power and electrical breakouts for various test and control signals.
- 2) Electrical:
 - a) Input power: 100 – 240 VAC 50/60Hz
 - b) Output power: 24VDC @ 0.75A
 - c) Internal low voltage fuse: 3AG 3A
 - d) Power indicator: 24VDC green LED
- 3) Mechanical:
 - a) Housing: NEMA 4X, fiberglass
 - b) Dimensions: 10.13 X 8.26 X 6.13
 - c) Weight: 6 lbs
- 4) Environmental
 - a) Temperature: 0°C to 40°C
 - b) IP rating: 32 (housing rated 66 prior to addition of connectors)

8 7 6 5 4 3 2 1
 THE INFORMATION CONTAINED IN THIS DRAWING IS THE SOLE PROPERTY OF DEEPSEA POWER & LIGHT INC. ANY REPRODUCTION IN PART OR WHOLE WITHOUT THE WRITTEN PERMISSION OF DEEPSEA POWER & LIGHT IS STRICTLY PROHIBITED.

REVISION HISTORY			
REV	CHANGE DESCRIPTION	APPROVED	DATE
-	RELEASED PER DCR# 2185		



Visio File Located In: U:\DWGS\735_DigitalStill\001_Coolpix\Images\735-001-026_Controller

NOTES:

TOLERANCES : Unless Otherwise Specified

.XX Lengths	±.02	Surface	
.XX Diameters	±.01	Finish All	64
.XXX Lengths	±.005		
.XXX Diameters	±.002	Surface	
Holes	±.003	Finish Seals	32
Angular	±.5°		
Fractional	±1/64"		

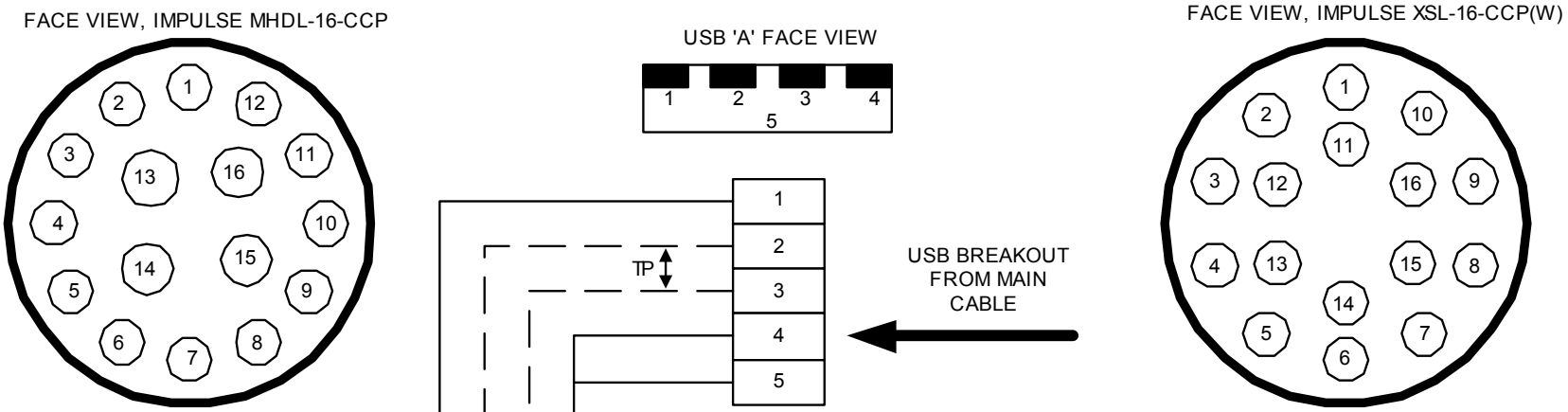
* All Dimensions Are Inches (mm)
 * Do Not Scale Drawing
 * Remove & Break All Sharp Edges and Burrs
 * Dimensions Apply Before Plating
 * Bordered Dimensions Are For QC Inspection

CAGE CODE	DSH	QTY	NEXT ASSEMBLY APPLICATION	USED ON
ODEN2				

MATERIAL	As Noted
SIZE/LENGTH CONDITION	N/A
ANODIZE/ PLATING	N/A
POST PROCESS HEAT TREAT	N/A
COLOR	N/A
MISC/OTHER DESIGN SHRINKAGE	N/A
REF FILE PATHNAME	U:\DWGS\735_DigitalStill\001_Coolpix\735-001-026_Controller.SLDASM

APPROVALS		DATE
ORIG ENG	J. Prsha	031502
ORIG DWG	R. Levin	031502
CHECK		
PROD RELEASE		050802
LAST UPDATE	R. Levin	050802

TITLE	DIGI-SEACAM CONTROLLER		
PROJECT	Digi-SeaCam		
SIZE	DWG. NO.	REV	
B	735-001-026	-	
PLOT CYCLE	SCALE	FILE NAME	SHEET
3	N/A	735-001-026_Controller.SLDDRW	1 of 6



1	COMMON (USB/RS-232/VIDEO)	1
2	PWR (9-36VDC)	2
3	VIDEO	3
4	GND (PWR)	4
5	RS232 TRANSMIT/STEREO	5
6	RS232 RECEIVE	6
7	USB D+	7
8	USB +5V	8
9	USB D-	9
10	RELAY	10
11	SINGLE SNAP	11
12	RESERVED	12
13	RESERVED	13
14	RESERVED	14
15	STROBE - GROUND	15
16	STROBE-TRIGGER	16

6 FT

DIGI-SEACAM - 16-PIN DECK BOX CABLE WITH USB BREAKOUT

Visio File Located In: U:\DWGS\706\000\706-000-038_Deck_Box_Cable1_WithUSB_Splice_Sheet2.vsd

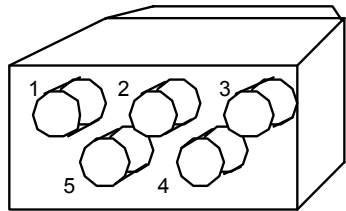
NOTES:

APPROVALS		DATE	SIZE	DWG. NO.	REV
DWG	R. Levin	050802	B	735-001-026	-
CHK			SCALE	PLOT CYCLE	SHEET
			N/A	3	2 of 6

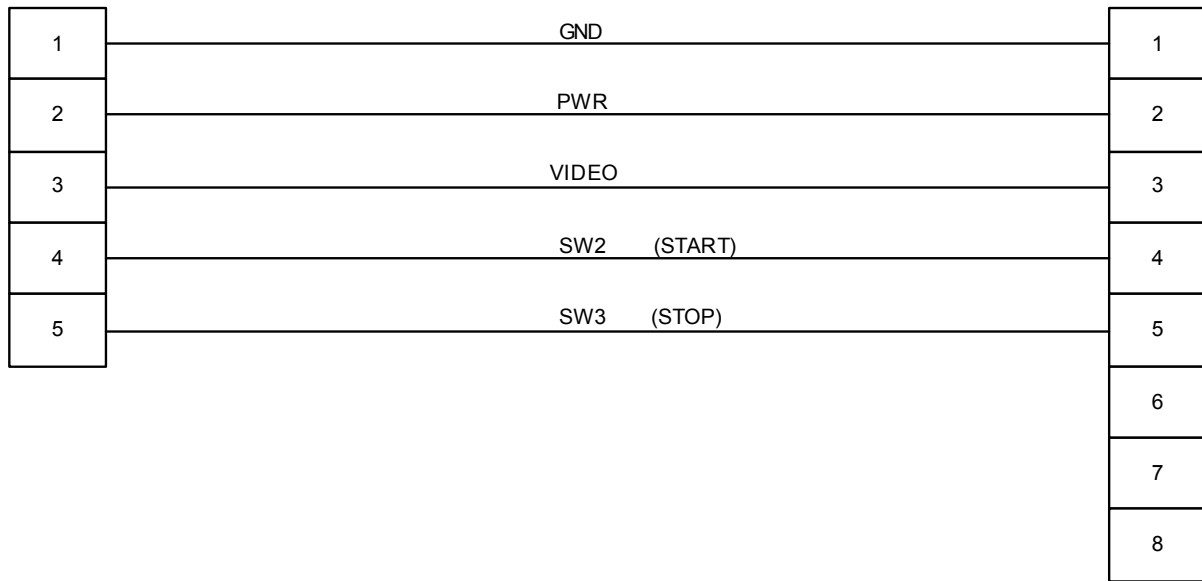
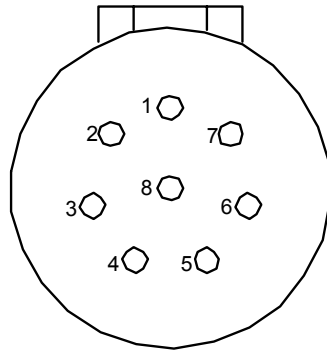
CAGE CODE ODEN2

SAN DIEGO TEL(858)576-1261 CALIFORNIA FAX(858)576-0219 USA www.deepsea.com

FACE VIEW, IMPULSE LPIL-5-MP



FACE VIEW, XSL-8-CCP (W)



6 FT

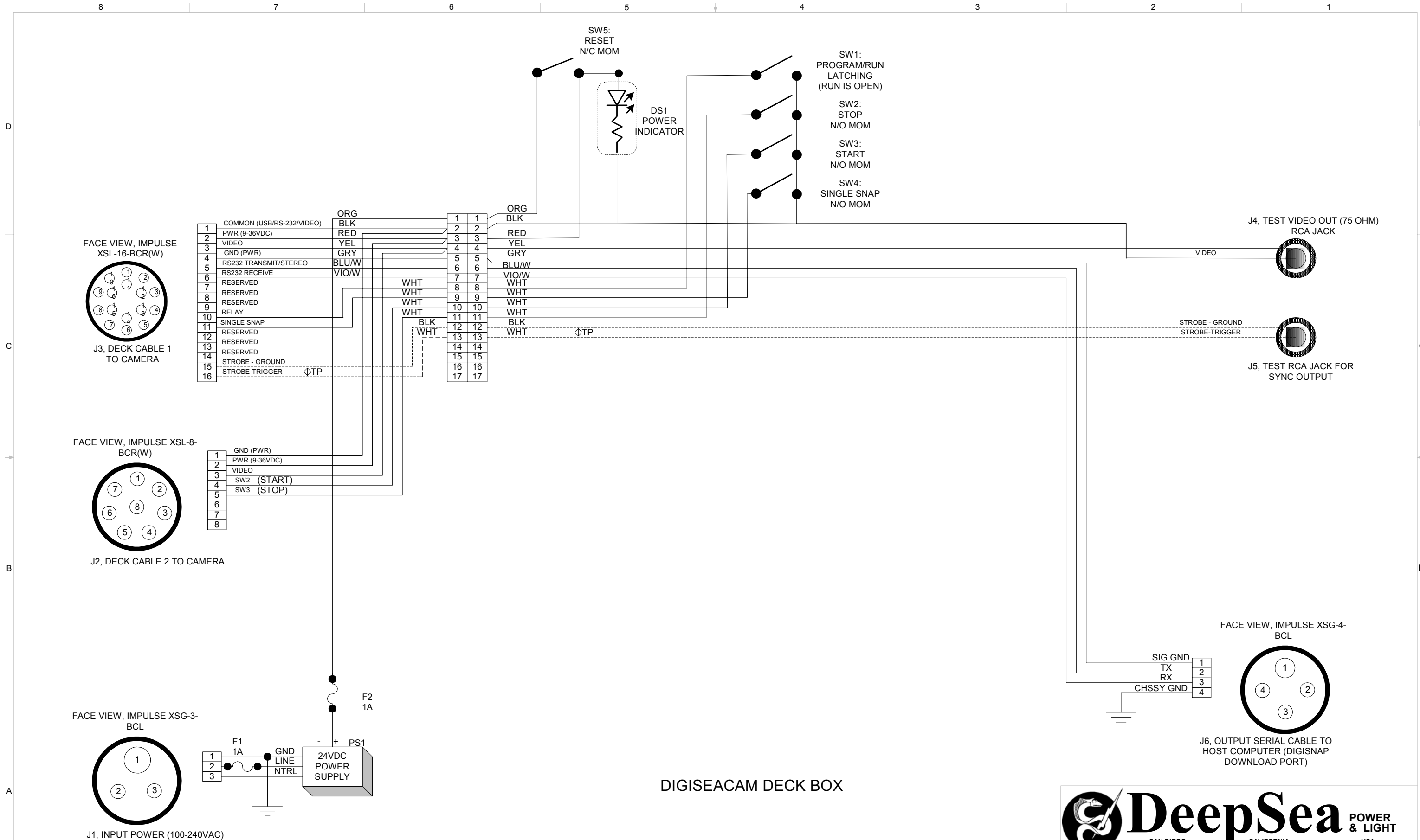
DIGI-SEACAM 8-PIN DECK BOX CABLE

Visio File Located In: U:\DWGS\706\000\706-000-036_Deck_Box_Cable_Sheet2.vsd

NOTES:

SAN DIEGO TEL(858)576-1261 CALIFORNIA FAX(858)576-0219 USA www.deepsea.com

APPROVALS		DATE	SIZE	DWG. NO.	REV
DWG	R. Levin	050802	B	735-001-026	-
CHK			SCALE	PLOT CYCLE	CAGE CODE
			N/A	3	ODEN2
				SHEET	3 of 6



Visio File Located In: U:\DWGS\735_DigitalStill\001_Coolpix\Images\735-001-026_Controller\735-001-026_Controller_Sh-4.vsd

NOTES:

APPROVALS		DATE	SIZE	DWG. NO.	REV
DWG	R. Levin	050802	B	735-001-026	-
CHK			SCALE	PLOT CYCLE	CAGE CODE
			N/A	3	ODEN2
			SHEET	4 of 6	

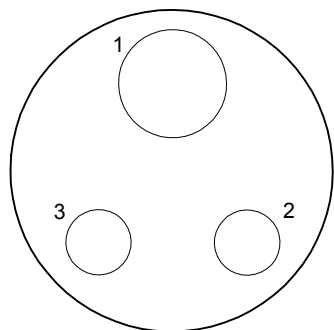
DeepSea POWER & LIGHT

SAN DIEGO TEL(858)576-1261 CALIFORNIA FAX(858)576-0219 USA www.deepsea.com

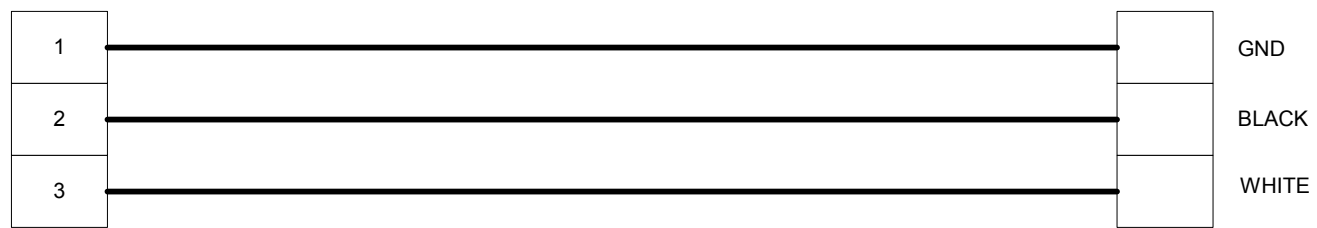
8 7 6 5 4 3 2 1

D
C
B
A

FACE VIEW, RMG-3-FS



GFCI CONNECTOR



DIGI-SEACAM DECK BOX POWER CABLE

Visio File Located In: U:\DWGS\706\000\706-000-039_Deck_Box_Power_Cable.vsd

NOTES:

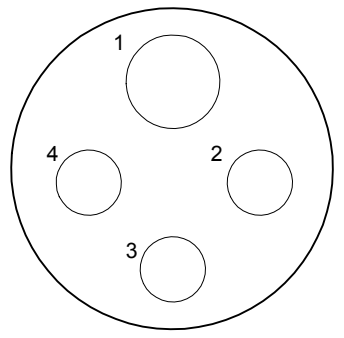
8 7 6 5 4 3 2 1

APPROVALS		DATE	SIZE	DWG. NO.	REV
DWG	R. Levin	050802	B	735-001-026	-
CHK			SCALE	PLOT CYCLE	CAGE CODE
			N/A	3	ODEN2
				SHEET	5 of 6

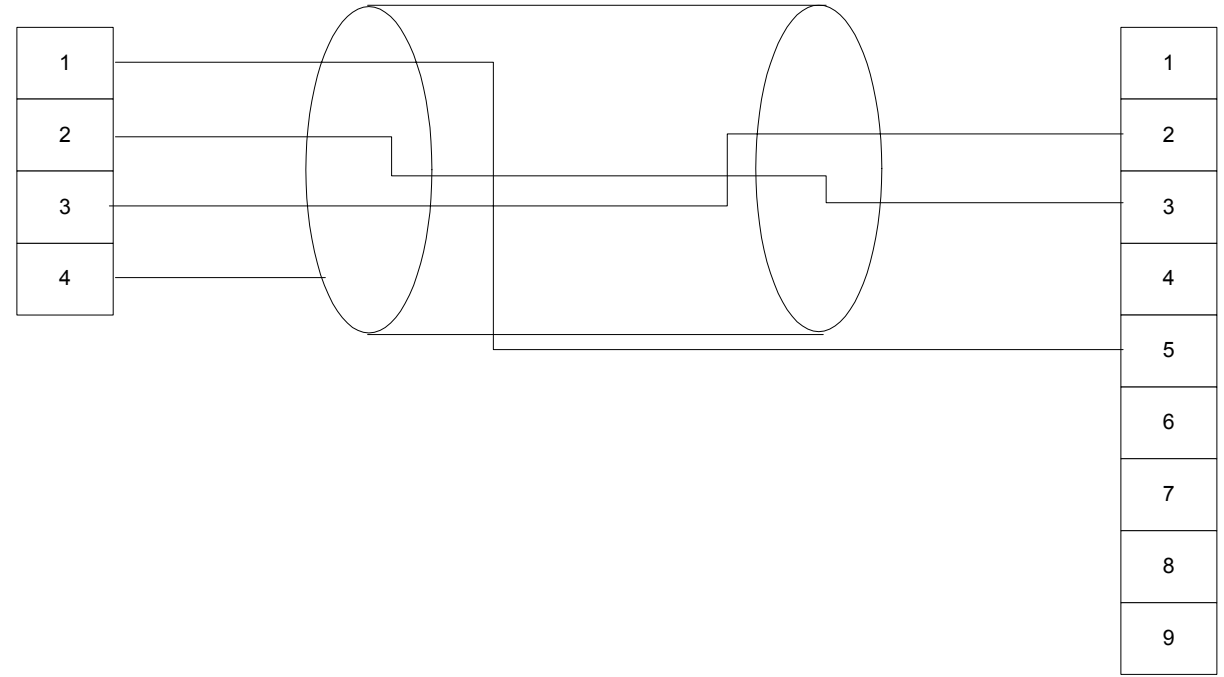
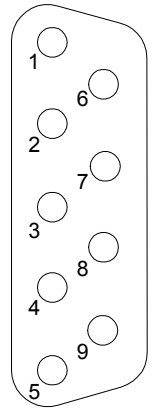
DeepSea POWER & LIGHT
 SAN DIEGO TEL(858)576-1261 CALIFORNIA FAX(858)576-0219 USA www.deepsea.com

8 7 6 5 4 3 2 1

FACE VIEW, RMG-4-FS



FACE VIEW, DB9F



60'

DIGI-SEACAM DECK BOX SERIAL CABLE

Visio File Located In: U:\DWGS\706\000\706-000-040_Deck_Serial_Cable.vsd

NOTES:

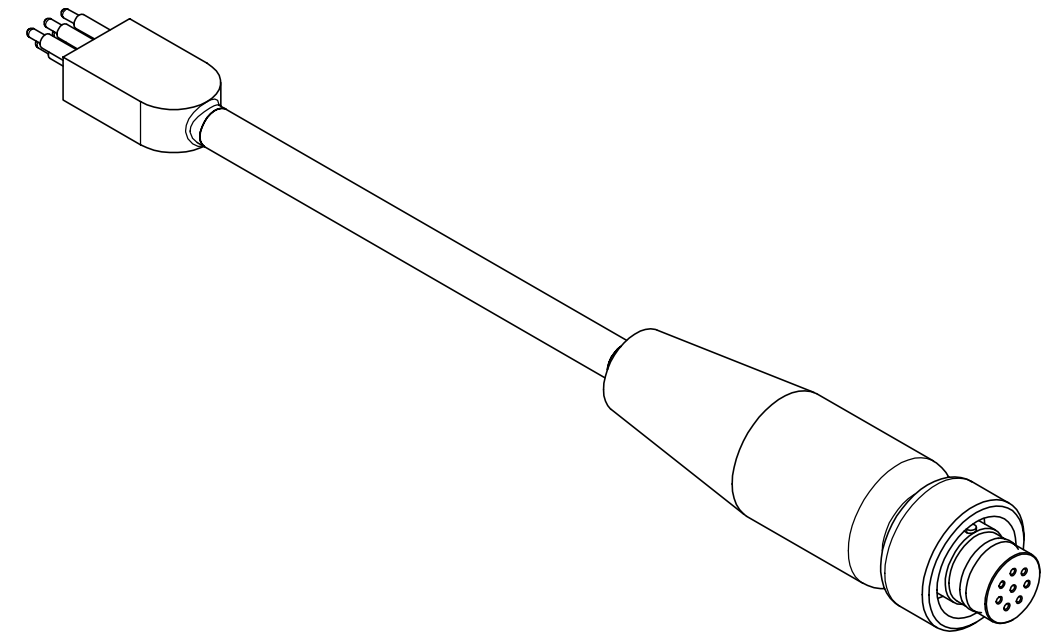
APPROVALS		DATE
DWG	R. Levin	050802
CHK		

SIZE	DWG. NO.	DATE	SCALE	PLOT CYCLE	CAGE CODE	SHEET
B	735-001-026	050802	N/A	3	ODEN2	6 of 6

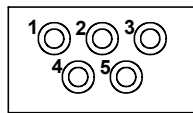
8 7 6 5 4 3 2 1
 THE INFORMATION CONTAINED IN THIS DRAWING IS THE SOLE PROPERTY OF DEEPSEA POWER & LIGHT INC. ANY REPRODUCTION IN PART OR WHOLE WITHOUT THE WRITTEN PERMISSION OF DEEPSEA POWER & LIGHT IS STRICTLY PROHIBITED.

ITEM NO.	QTY.	PART NO.	DESCRIPTION
1	1	XSL-8-CCP (W)	8 PIN CABLE CONNECTOR PLUG
2	1	LPIL-5-MP	5 PIN MALE CONNECTOR
3	1	18/5 SO CABLE	18 GAGE 5 CONDUCTOR NEOPRENE CABLE

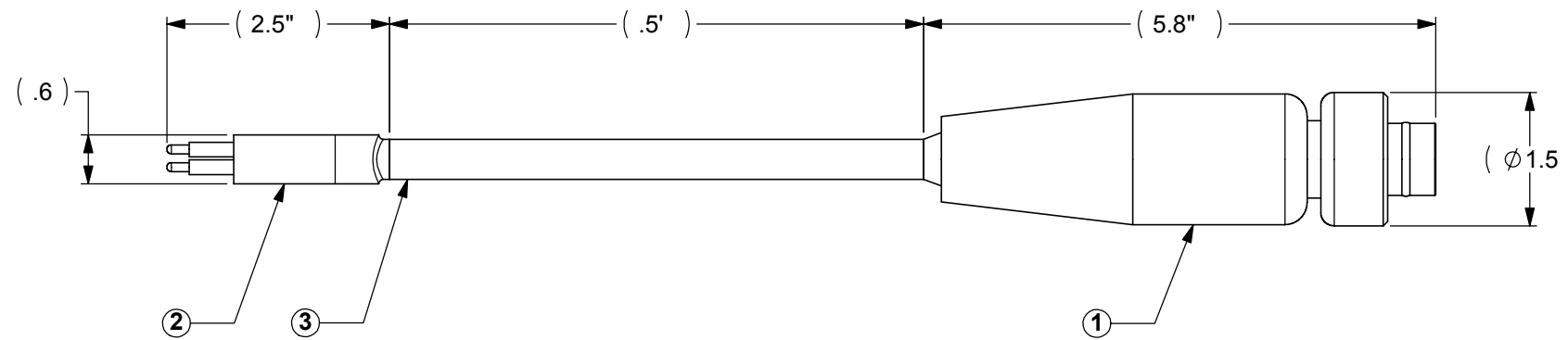
REVISION HISTORY			
REV	CHANGE DESCRIPTION	APPROVED	DATE
-	RELEASED PER DCR# 2150		



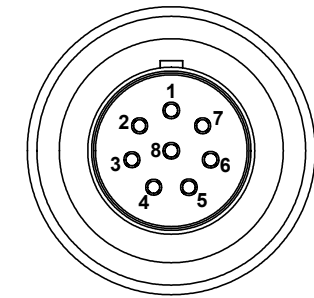
Camera End
 LPIL-5-MP
 (Face View)



SCALE 1 : 1



Controller End
 XSL-8-CCP (W)
 (Face View)



SCALE 1 : 1

NOTES:

TOLERANCES : Unless Otherwise Specified

.XX Lengths	±.02	Surface	
.XX Diameters	±.01	Finish All	64
.XXX Lengths	±.005		
.XXX Diameters	±.002	Surface	
Holes	±.003	Finish Seals	32
Angular	±.5°		
Fractional	±1/64"		

* All Dimensions Are Inches (mm)
 * Do Not Scale Drawing
 * Remove & Break All Sharp Edges and Burrs
 * Dimensions Apply Before Plating
 * Bordered Dimensions Are For QC Inspection

CAGE CODE ODEN2

DSH	QTY	NEXT ASSEMBLY	USED ON

REF FILE PATHNAME U:\DWGS\706\000\706-000-036_Deck_Box_Cable.SLDASM

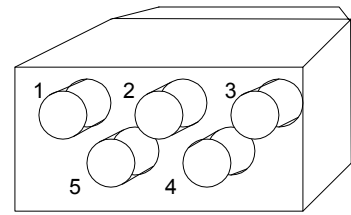
MATERIAL As Noted in B.O.M.

SIZE/LENGTH CONDITION	N/A
ANODIZE/ PLATING	N/A
POST PROCESS HEAT TREAT	N/A
COLOR	N/A
MISC/OTHER DESIGN SHRINKAGE	N/A

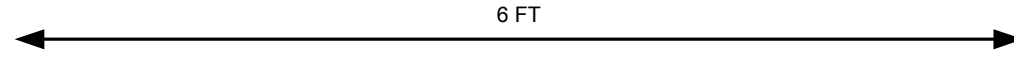
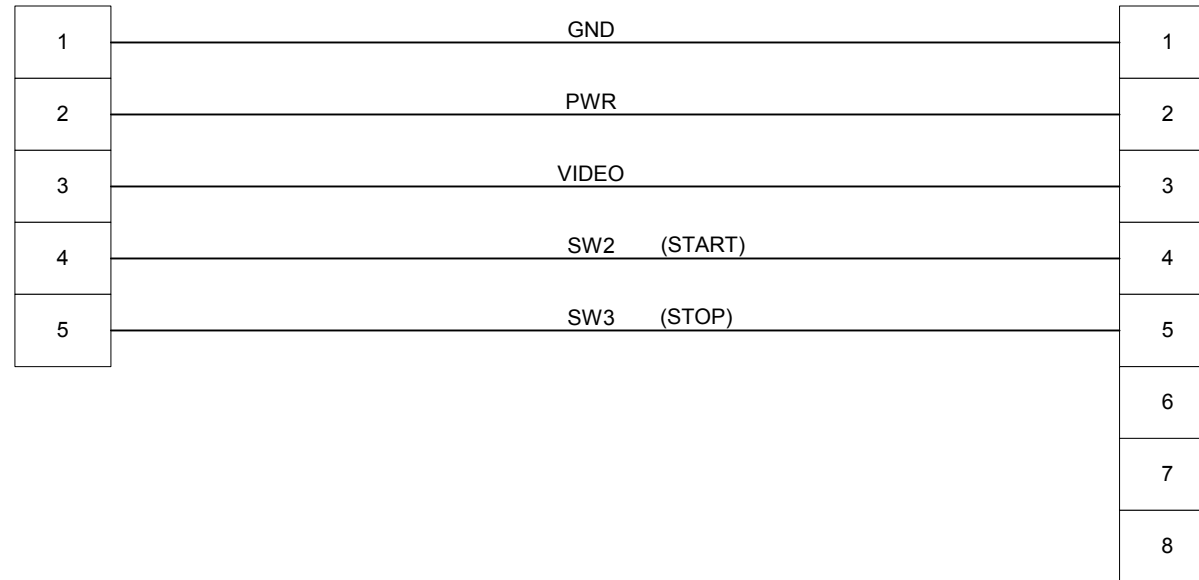
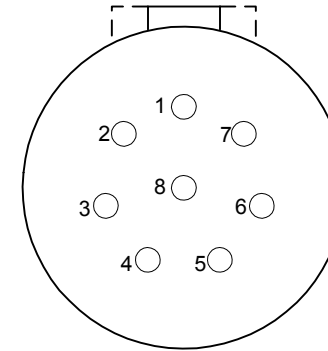
APPROVALS		DATE
ORIG ENG	J. Prsha	022502
ORIG DWG	R. Levin	031402
CHECK		
PROD RELEASE		031402
LAST UPDATE	R. Levin	050802

TITLE	Digi-SeaCam-8-pin Deck Box Cable		
PROJECT	Oceanographic Cable		
SIZE	DWG. NO.	REV	
B	706-000-036	-	
PLOT CYCLE	SCALE	FILE NAME	SHEET
1	1:2	706-000-036_Deck_Box_Cable.SLDDRW	1 of 2

FACE VIEW, IMPULSE LPIL-5-MP



FACE VIEW, XSL-8-CCP (W)



DIGI-SEACAM 8-PIN DECK BOX CABLE

Visio File Located In: U:\DWGS\706\000\706-000-036_Deck_Box_Cable_Sheet2.vsd

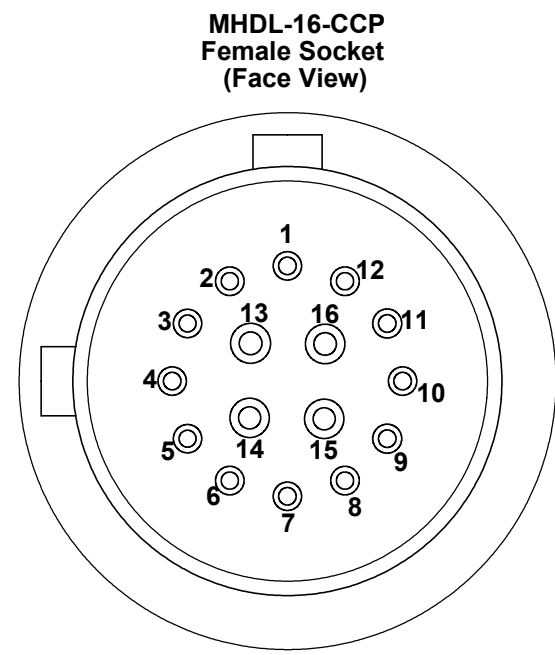
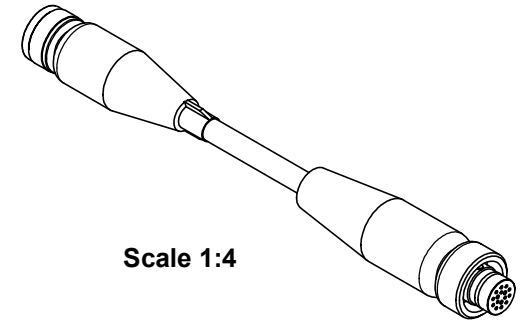
NOTES:

APPROVALS		DATE	SIZE	DWG. NO.	REV
DWG	R. Levin	050802	B	706-000-036	-
CHK			SCALE	PLOT CYCLE	CAGE CODE
			N/A	1	ODEN2
			SHEET	2 of 2	

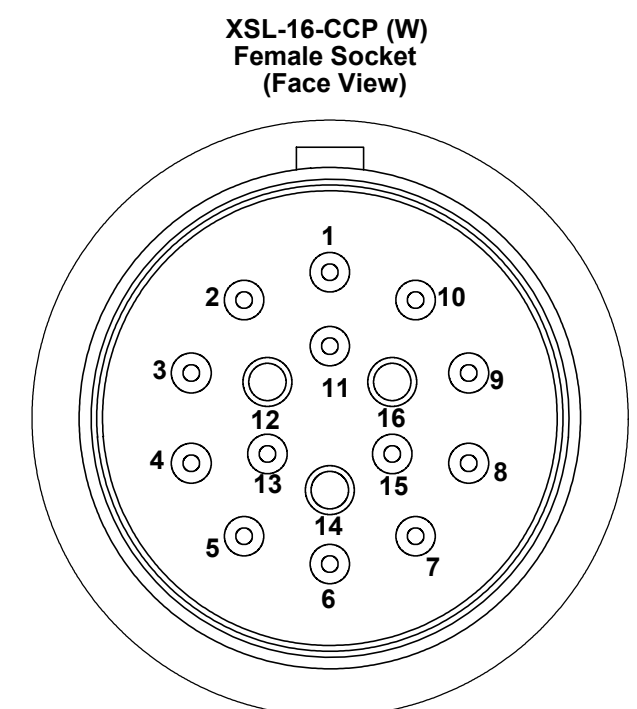
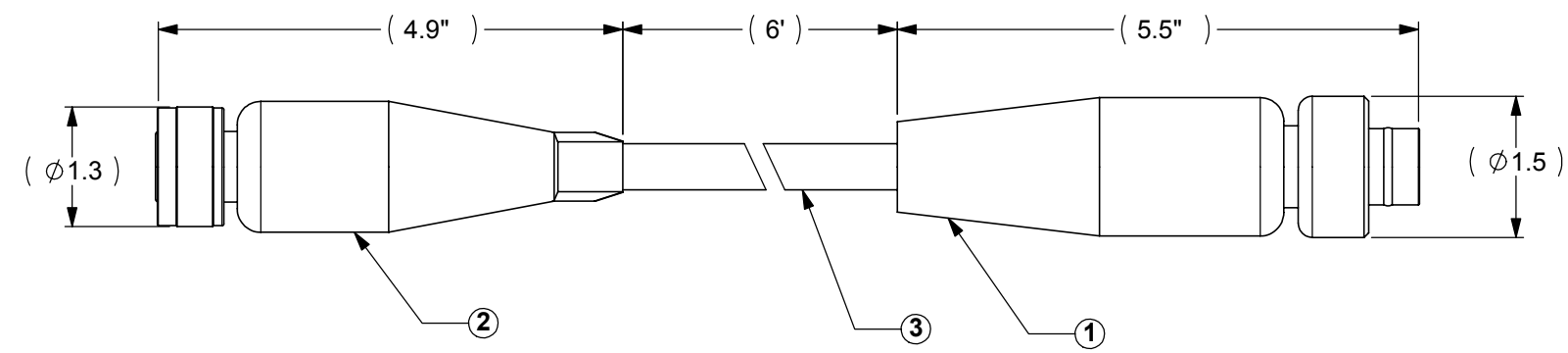
8 7 6 5 4 3 2 1
 THE INFORMATION CONTAINED IN THIS DRAWING IS THE SOLE PROPERTY OF DEEPSEA POWER & LIGHT INC. ANY REPRODUCTION IN PART OR WHOLE WITHOUT THE WRITTEN PERMISSION OF DEEPSEA POWER & LIGHT IS STRICTLY PROHIBITED.

ITEM NO.	QTY.	PART NO.	DESCRIPTION
1	1	XSL-16-CCP	XSL-16-CCP Sraight Conn (Supplied By Vendor)
2	1	MHDL-16-CCP	MHDL-16-CCP Straight Conn (Supplied by Vendor)
3	1	20/16 SO	20/16 SO Cable 6' (Supplied By Vendor)

REVISION HISTORY			
REV	CHANGE DESCRIPTION	APPROVED	DATE
-	Released Per DCR# 2150		



Scale 1:3



Scale 1:3

NOTES:

TOLERANCES : Unless Otherwise Specified			
.XX Lengths	±.02	Surface	64
.XX Diameters	±.01	Finish All	
.XXX Lengths	±.005		32
.XXX Diameters	±.002	Surface	
Holes	±.003	Finish Seals	
Angular	±.5°		
Fractional	±1/64"		

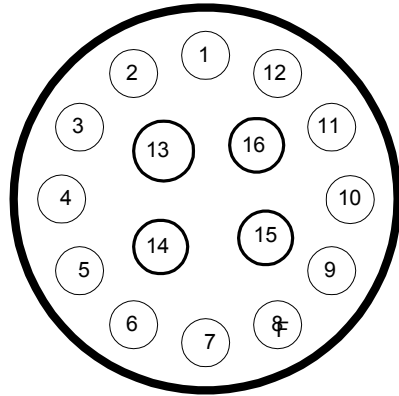
CAGE CODE	DSH	QTY	NEXT ASSEMBLY	USED ON
ODEN2				

MATERIAL	As Noted in B.O.M.
SIZE/LENGTH CONDITION	N/A
ANODIZE/PLATING	N/A
POST PROCESS HEAT TREAT	N/A
COLOR	N/A
MISC/OTHER DESIGN SHRINKAGE	N/A
REF FILE PATHNAME	U:\DWGS\1706\000\1706-000-037_Deck_Box_Cable1.SLDASM

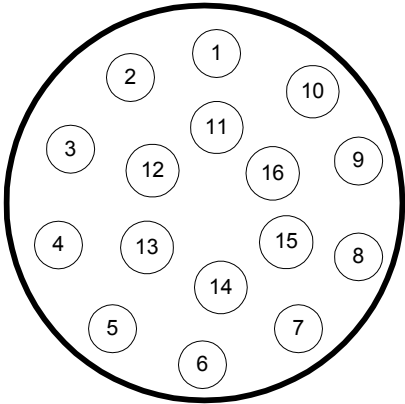
APPROVALS		DATE
ORIG ENG	J.Prsha	031202
ORIG DWG	D.Anderson	031402
CHECK		
PROD RELEASE		031402
LAST UPDATE	R. Levin	050802

TITLE	Digi-SeaCam - 16pin- Deck Box Cable W/O USB Breakout		
PROJECT	Oceanographic Cable		
SIZE	DWG. NO.	REV	
B	706-000-037	-	
PLOT CYCLE	SCALE	FILE NAME	SHEET
2	1:2	706-000-037_Deck_Box_Cable1.SLDDRW	1 of 2

FACE VIEW, IMPULSE MHDL-16-CCP



FACE VIEW, IMPULSE XSL-16-CCP(W)



1	COMMON (USB/RS-232/VIDEO)	1
2	PWR (9-36VDC)	2
3	VIDEO	3
4	GND (PWR)	4
5	RS232 TRANSMIT/STEREO	5
6	RS232 RECEIVE	6
7	USB D+	7
8	USB +5V	8
9	USB D-	9
10	RELAY	10
11	SINGLE SNAP	11
12	RESERVED	12
13	RESERVED	13
14	RESERVED	14
15	STROBE - GROUND	15
16	STROBE-TRIGGER	16

6 FT

DIGI-SEACAM -16-PIN DECK BOX CABLE
WITHOUT USB BREAKOUT

Visio file located in : W:\706\000\706-000-037_Deck_Box_Cable1_Sheet2.vsd

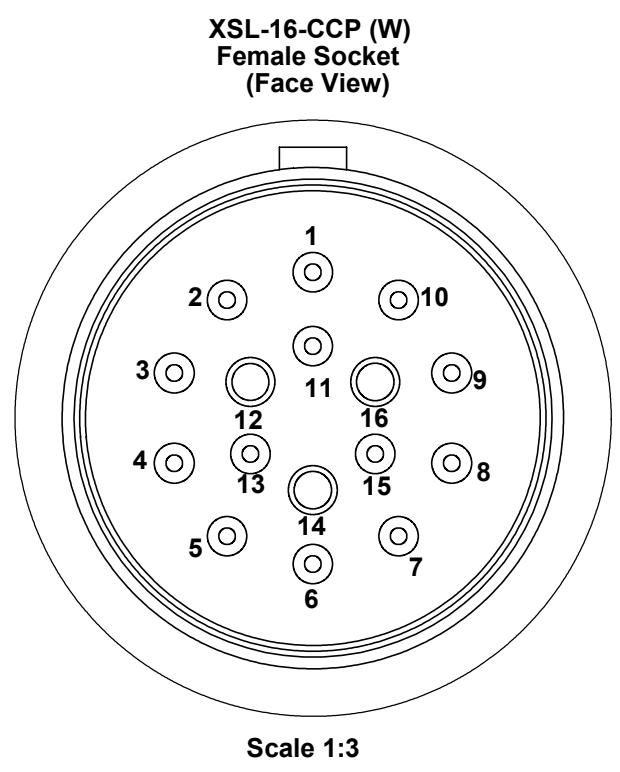
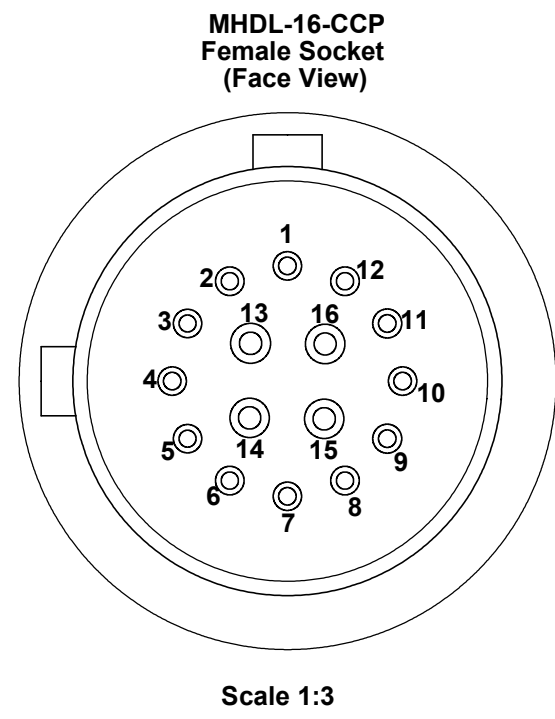
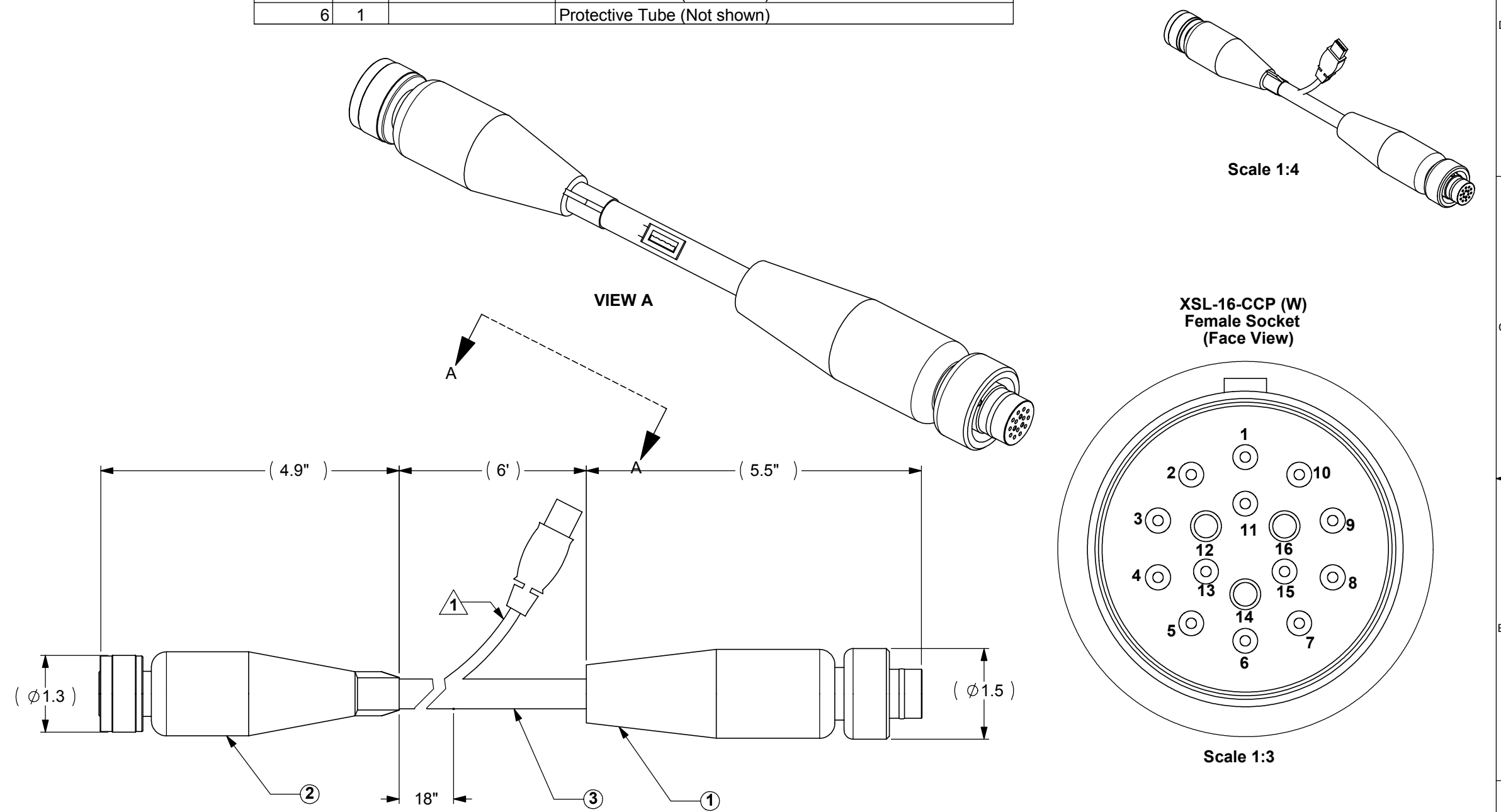
NOTES:

APPROVALS		DATE	SIZE	DWG. NO.	REV
DWG	R. Levin	050802	B	706-000-037	-
CHK			SCALE	PLOT CYCLE	CAGE CODE
			1:1	2	ODEN2
			SHEET	2 of 2	

8 7 6 5 4 3 2 1
 THE INFORMATION CONTAINED IN THIS DRAWING IS THE SOLE PROPERTY OF DEESEA POWER & LIGHT INC. ANY REPRODUCTION IN PART OR WHOLE WITHOUT THE WRITTEN PERMISSION OF DEESEA POWER & LIGHT IS STRICTLY PROHIBITED.

ITEM NO.	QTY.	PART NO.	DESCRIPTION
1	1	XSL-16-CCP	XSL-16-CCP Straight Conn (Supplied By Vendor)
2	1	MHDL-16-CCP	MHDL-16-CCP Straight Conn (Supplied by Vendor)
3	1	20/16 SO	20/16 SO Cable 6' (Supplied By Vendor)
4	1	USB	USB Connector with 12" Cable Whip (Supplied by DSPL)
5	1		Protective Tube (Not shown)
6	1		Protective Tube (Not shown)

REVISION HISTORY			
REV	CHANGE DESCRIPTION	APPROVED	DATE
-	Released Per DCR# 2150		



1 12" Cable length

NOTES:

TOLERANCES : Unless Otherwise Specified			
.XX Lengths ±.02	Surface Finish All	64	✓
.XX Diameters ±.01			
.XXX Lengths ±.005		32	✓
.XXX Diameters ±.002	Surface Finish Seals		
Holes ±.003			
Angular ±.5°			
Fractional ±1/64"			

* All Dimensions Are Inches (mm)
 * Do Not Scale Drawing
 * Remove & Break All Sharp Edges and Burrs
 * Dimensions Apply Before Plating
 * Bordered Dimensions Are For QC Inspection

CAGE CODE	DSH	QTY	NEXT ASSEMBLY	USED ON	REF FILE	PATHNAME
ODEN2					U:\DWGS\706\000\706-000-037_Deck_Box_Cable1.SLDASM	

APPROVALS		DATE
ORIG ENG	J.Prsha	031202
ORIG DWG	D.Anderson	031402
CHECK		
PROD RELEASE		031402
LAST UPDATE	R. Levin	050802

SAN DIEGO CALIFORNIA USA
 TEL(858)576-1261 FAX(858)576-0219 www.deepsea.com

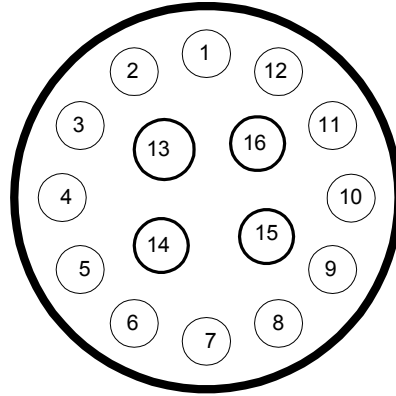
TITLE: **Digi-SeaCam - 16 Pin Deck Box Cable W/ USB Breakout**

PROJECT: **Oceanographic Cable**

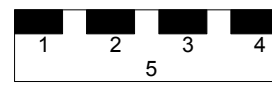
SIZE: **B** DWG. NO.: **706-000-038** REV: **-**

PLOT CYCLE: 3 SCALE: 1:2 FILE NAME: 706-000-038_Deck_Box_Cable1_WithUSB_Splice.SLDDRW SHEET: 1 of 2

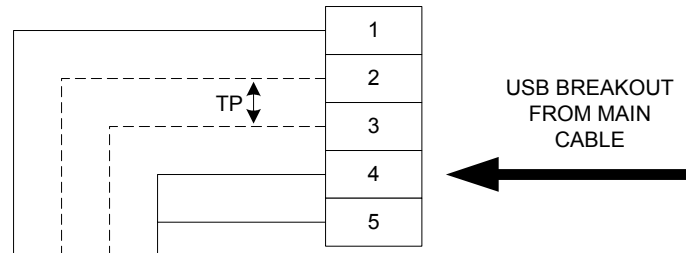
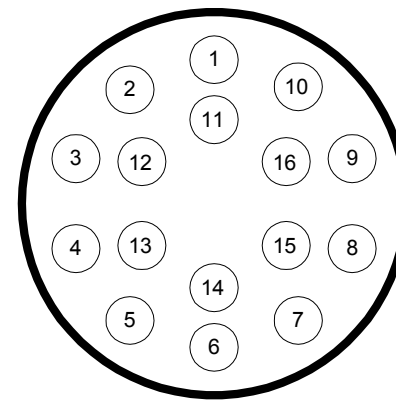
FACE VIEW, IMPULSE MHDL-16-CCP



USB 'A' FACE VIEW



FACE VIEW, IMPULSE XSL-16-CCP(W)



1	COMMON (USB/RS-232/VIDEO)	1
2	PWR (9-36VDC)	2
3	VIDEO	3
4	GND (PWR)	4
5	RS232 TRANSMIT/STEREO	5
6	RS232 RECEIVE	6
7	USB D+	7
8	USB +5V	8
9	USB D-	9
10	RELAY	10
11	SINGLE SNAP	11
12	RESERVED	12
13	RESERVED	13
14	RESERVED	14
15	STROBE - GROUND	15
16	STROBE-TRIGGER	16

6 FT

DIGI-SEACAM - 16-PIN DECK BOX CABLE WITH USB BREAKOUT

Visio file located in :

W:\706\000\706-000-038_Deck_Box_Cable1_WithUSB_Splice_Sheet2.vsd

NOTES:

APPROVALS		DATE	SIZE	DWG. NO.	REV
DWG	R. Levin	050802	B	706-000-038	-
CHK			SCALE	PLOT CYCLE	CAGE CODE
			1:1	3	ODEN2
			SHEET	2 of 2	

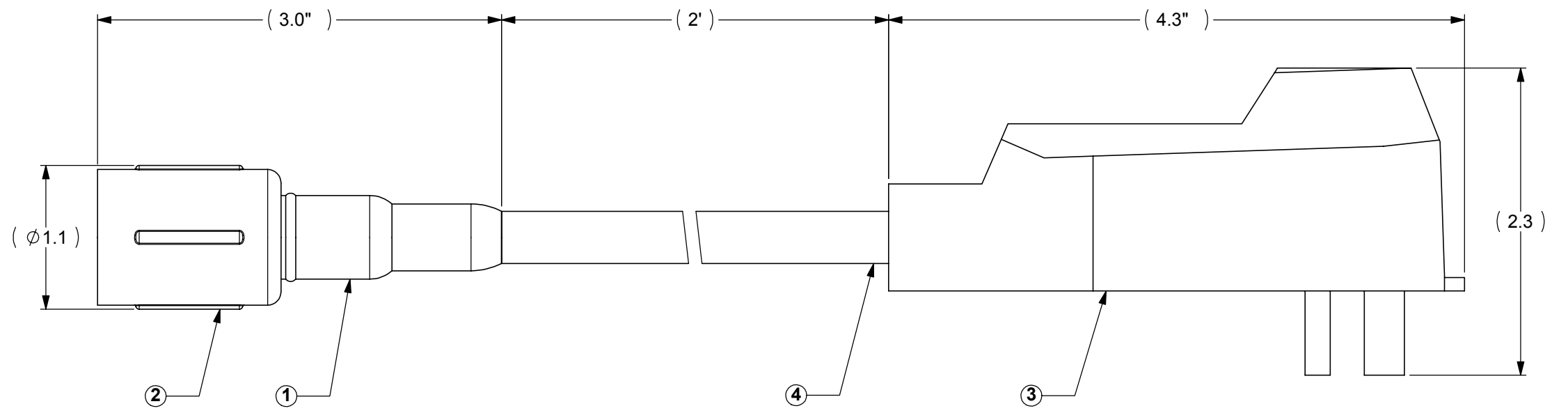
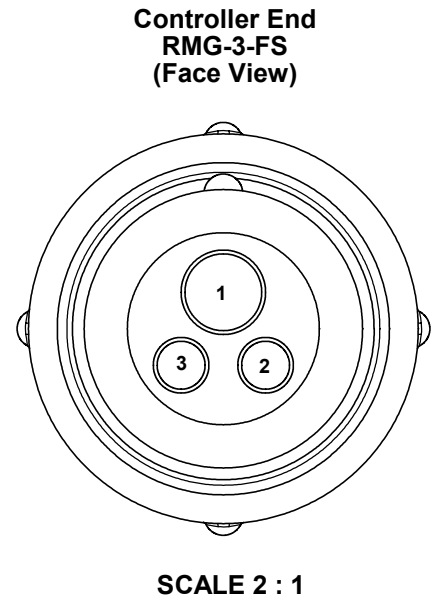
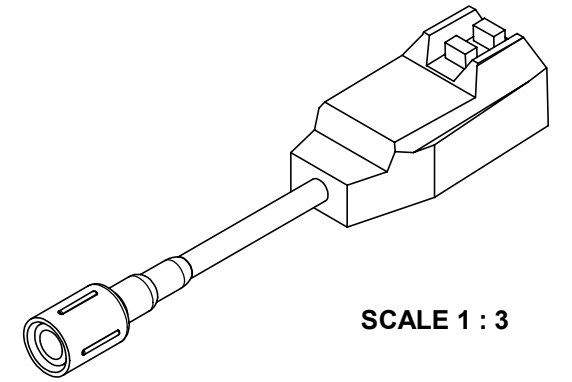


8 7 6 5 4 3 2 1

THE INFORMATION CONTAINED IN THIS DRAWING IS THE SOLE PROPERTY OF DEESEA POWER & LIGHT INC. ANY REPRODUCTION IN PART OR WHOLE WITHOUT THE WRITTEN PERMISSION OF DEESEA POWER & LIGHT IS STRICTLY PROHIBITED.

ITEM NO.	QTY.	PART NO.	DESCRIPTION
1	1	RMG-3-FS	3 PIN FEMALE SOCKET CONNECTOR
2	1	G-FLS-P	LOCKING SLEEVE
3	1	250-00007	GFCI PLUG
4	1	16/3 SO CABLE	16 GAGE 3 CONDUCTOR NEOPRENE CABLE, 2'

REVISION HISTORY			
REV	CHANGE DESCRIPTION	APPROVED	DATE
-	RELEASED PER DCR# 2150		



NOTES:

TOLERANCES : Unless Otherwise Specified

.XX Lengths ±.02	Surface Finish All	64
.XX Diameters ±.01		
.XXX Lengths ±.005	Surface Finish Seals	32
.XXX Diameters ±.002		
Holes ±.003		
Angular ±.5°		
Fractional ±1/64"		

* All Dimensions Are Inches (mm)
 * Do Not Scale Drawing
 * Remove & Break All Sharp Edges and Burrs
 * Dimensions Apply Before Plating
 * Bordered Dimensions Are For QC Inspection

CAGE CODE	DSH	QTY	NEXT ASSEMBLY	USED ON
ODEN2				

MATERIAL	SIZE/LENGTH CONDITION	ANODIZE/ PLATING	POST PROCESS HEAT TREAT	COLOR	MISC/OTHER DESIGN SHRINKAGE	REF FILE PATHNAME
As Noted in B.O.M.	N/A	N/A	N/A	N/A	N/A	U:\DWGS\706\000\706-000-039_Deck_Box_Power_Cable.SLDASM

APPROVALS		DATE
ORIG ENG	J. Prsha	022502
ORIG DWG	R. Levin	031402
CHECK		
PROD RELEASE		031402
LAST UPDATE	D.Anderson	031502

SAN DIEGO CALIFORNIA USA
 TEL(858)576-1261 FAX(858)576-0219 www.deepsea.com

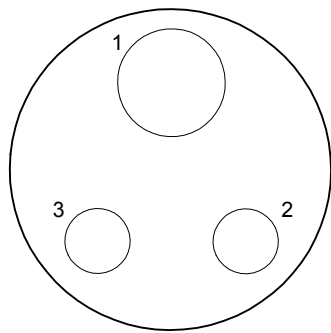
TITLE: **Digi-SeaCam - Deck Box Power Cable**

PROJECT: **Oceanographic Cable**

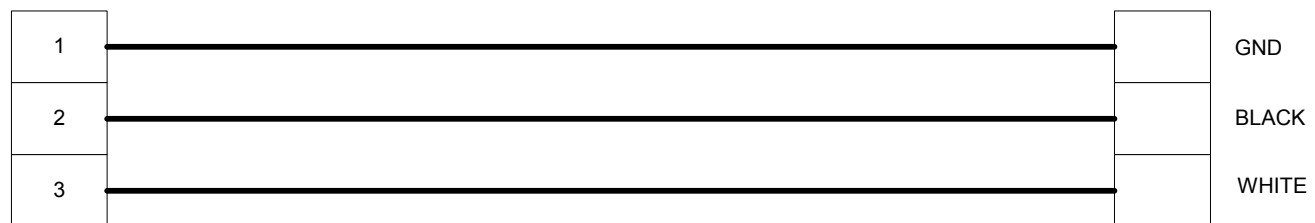
SIZE: **B** DWG. NO.: **706-000-039** REV: **-**

PLOT CYCLE 1 SCALE 1:1 FILE NAME 706-000-039_Deck_Box_Power_Cable.SLDDRW SHEET 1 of 2

FACE VIEW, RMG-3-FS



GFCI CONNECTOR



DIGI-SEACAM DECK BOX POWER CABLE

Visio File Located In: U:\DWGS\706\000\706-000-039_Deck_Box_Power_Cable.SLDASM

NOTES:

APPROVALS		DATE	SIZE	DWG. NO.	REV
DWG	D.Anderson	031502	B	706-000-039	-
CHK			SCALE	PLOT CYCLE	CAGE CODE
			N/A	1	ODEN2
				SHEET	2 of 2



8 7 6 5 4 3 2 1
 THE INFORMATION CONTAINED IN THIS DRAWING IS THE SOLE PROPERTY OF DEESEA POWER & LIGHT INC. ANY REPRODUCTION IN PART OR WHOLE WITHOUT THE WRITTEN PERMISSION OF DEESEA POWER & LIGHT IS STRICTLY PROHIBITED.

REV	CHANGE DESCRIPTION	APPROVED	DATE
-	RELEASED PER DCR# 2150		

TABULATION BLOCK

- 01 CAT5 ENHANCED CAT5 DECK CABLE, 6'
- 02 CAT5 ENHANCED CAT5 DECK CABLE, 60'

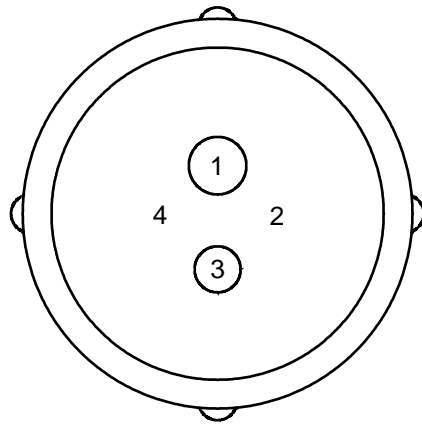
D

D

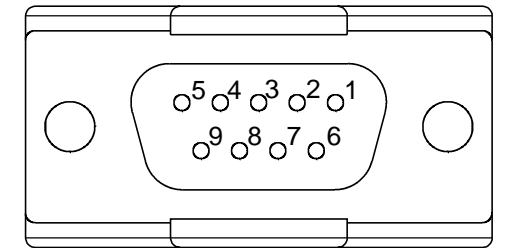
C

C

Controller End
 RMG-4-FS
 (Face View)



SCALE 2 : 1



SCALE 2 : 1

NOTES:

A TOLERANCES : Unless Otherwise Specified

.XX Lengths	±.02	Surface	
.XX Diameters	±.01	Finish All	64
.XXX Lengths	±.005		
.XXX Diameters	±.002	Surface	
Holes	±.003	Finish Seals	32
Angular	±.5°		
Fractional	±1/64"		

* All Dimensions Are Inches [mm]
 * Do Not Scale Drawing
 * Remove & Break All Sharp Edges and Burrs
 * Dimensions Apply Before Plating
 * Bordered Dimensions Are For QC Inspection

CAGE CODE ODEN2 DSH QTY NEXT ASSEMBLY APPLICATION USED ON

MATERIAL As Noted in B.O.M.

SIZE/LENGTH CONDITION N/A
 ANODIZE/ PLATING N/A
 POST PROCESS HEAT TREAT N/A
 COLOR N/A
 MISC/OTHER DESIGN SHRINKAGE N/A

REF FILE PATHNAME U:\DWGS\706\000\706-000-040_Deck_Box_Serial_Cable.SLDASM

APPROVALS

ORIG ENG J. Prsha
 ORIG DWG R. Levin
 CHECK
 PROD RELEASE
 LAST UPDATE M. Ueno

DATE

022502
 031402
 031402
 031602

TITLE Digi-SeaCam - Deck Box Serial Cable

PROJECT Oceanographic Cable

SIZE DWG. NO. B 706-000-040

REV - SHEET 1 of 2
 PLOT CYCLE 2 SCALE 1:1 FILE NAME 706-000-040_Deck_Box_Serial_Cable.SLDDRW

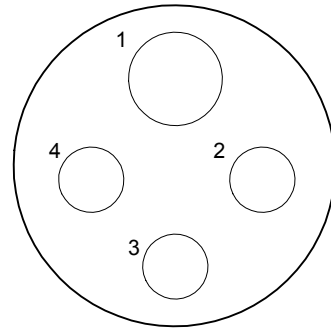
TABULATED DOCUMENT

DeepSea POWER & LIGHT

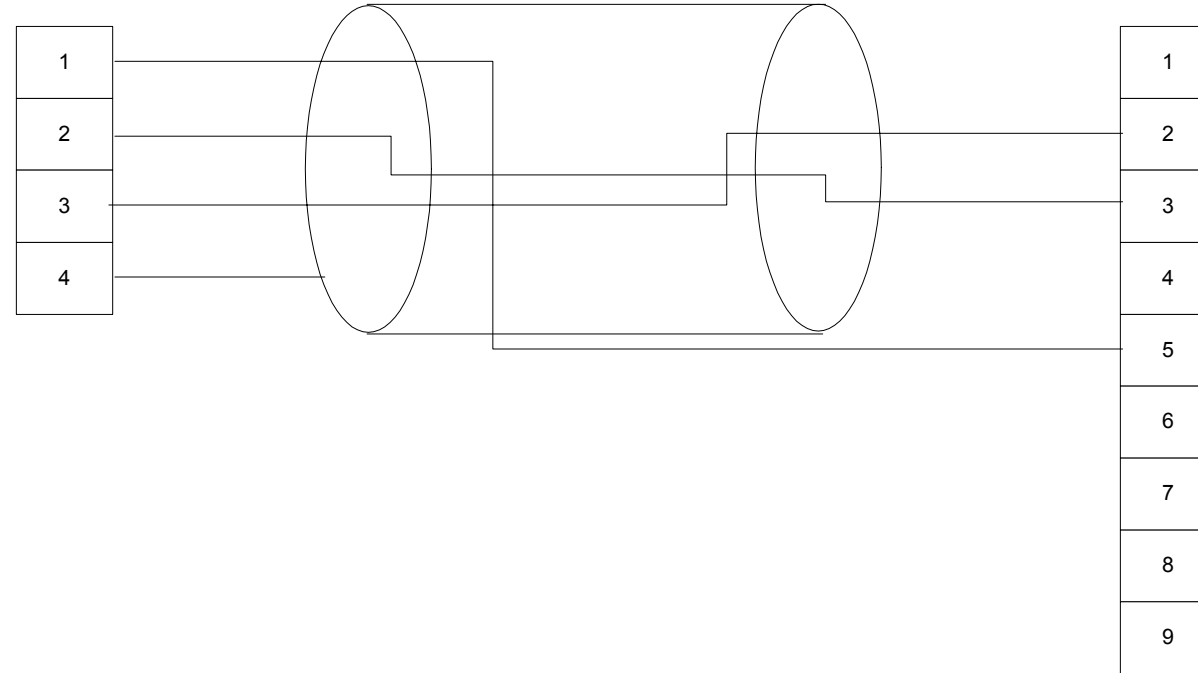
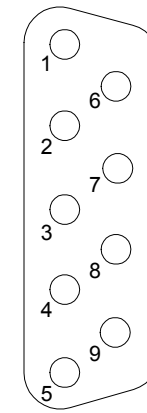
SAN DIEGO TEL(858)576-1261 CALIFORNIA FAX(858)576-0219 USA www.deep sea.com

8 7 6 5 4 3 2 1

FACE VIEW, RMG-4-FS



FACE VIEW, DB9F



60'

DIGI-SEACAM DECK BOX SERIAL CABLE

Visio File Located In:

U:\DWGS\706\000\706-000-040_Deck_Serial_Cable.vsd

NOTES:



APPROVALS		DATE	SIZE	DWG. NO.	REV
DWG	M. Ueno	031602	B	706-000-040	-
CHK			SCALE	PLOT CYCLE	CAGE CODE
			N/A	2	ODEN2
				SHEET	2 of 2